



Unified Extensible Firmware Interface (UEFI) Welcome

June 2010

**Mark Doran
President UEFI**

Welcome to UEFI Plugfest 2010

- Thank you for participating

AMD/ATI	Microsoft
AMI	ONH-INL
Apple	Phoenix
ARM	PMC-Sierra
Byosoft	Qlogic
Dell	RealTech
Emulex	Red Hat
HP	Sandi
IBM	Segate
Insyde	SUSE
Intel/SSG	Ubuntu
LSI	WDC

- Big Thank you to our sponsors

Microsoft



UEFI Plugfest 2010



Home

About UEFI

Join UEFI

UEFI Specifications and Tools

News

UEFI Events

UEFI Learning Center

Members Pages

Welcome What's New: UEFI Specifications Update!

UEFI Specification

Current UEFI Spec:
v2.3 approved
May, 09

Current Activities:
Implementation
and writer's guides

UEFI Shell Specification

Current Shell Spec:
v2.0, approved
Oct, 08

Current Activities
Implementation
support

PI Specification

Current PI Spec:
v1.2, approved
May, 09

Current Activities:
Implementation
support

UTWG Self-test Specification

Current version:
SCT v2.1 released
May, 09

Next Release: v2.3
SCT target mid
2010

PI Distribution Package Specification

Current version:
v1.0 released
May, 09

Current Activities:
Implementation
support

<http://www.uefi.org>

UEFI Plugfest 2010



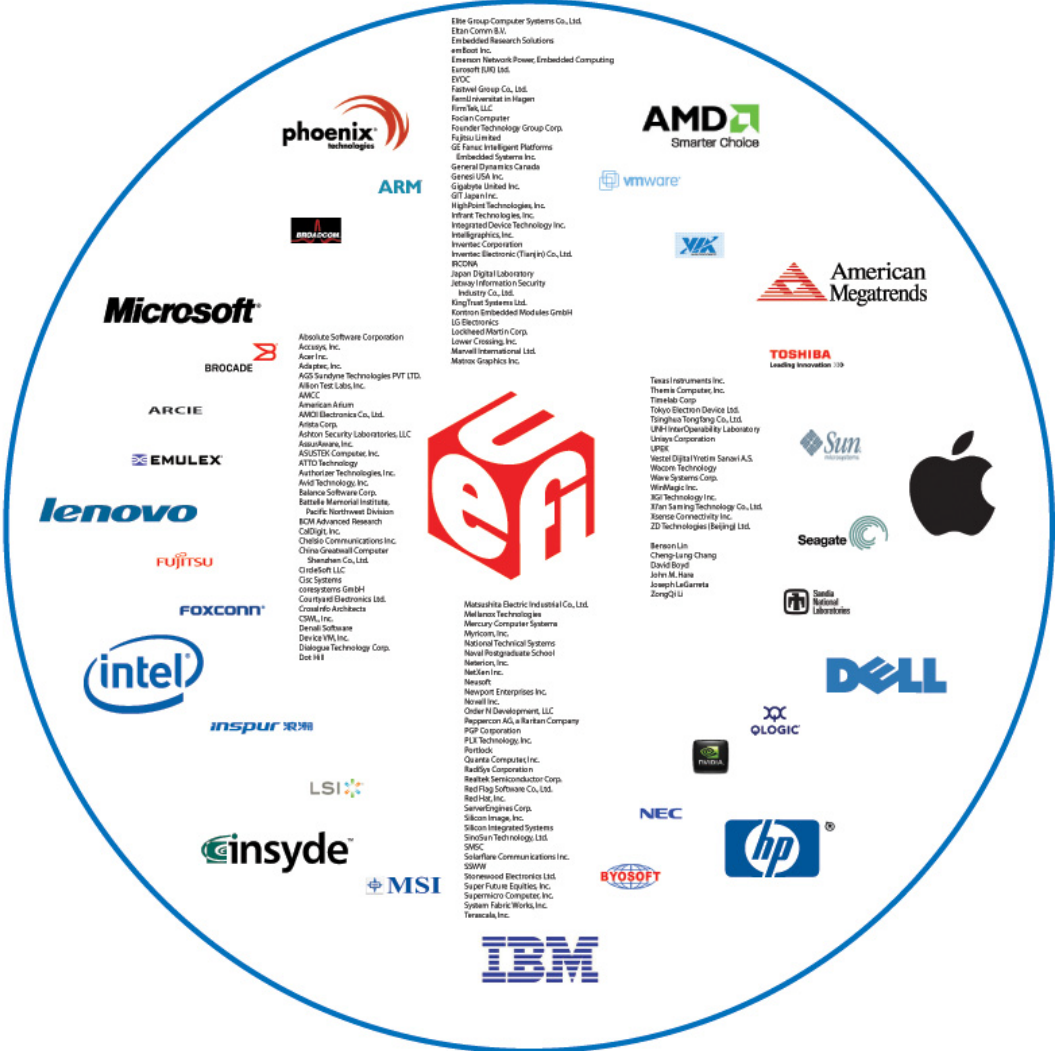
Whos - Who

- President
- Vice President
- Secretary
- Treasure
- Mark Doran (Intel)
- Dong Wei (HP)
- Jeff Bobzin (Insyde)
- Bill Keown (Lenovo)



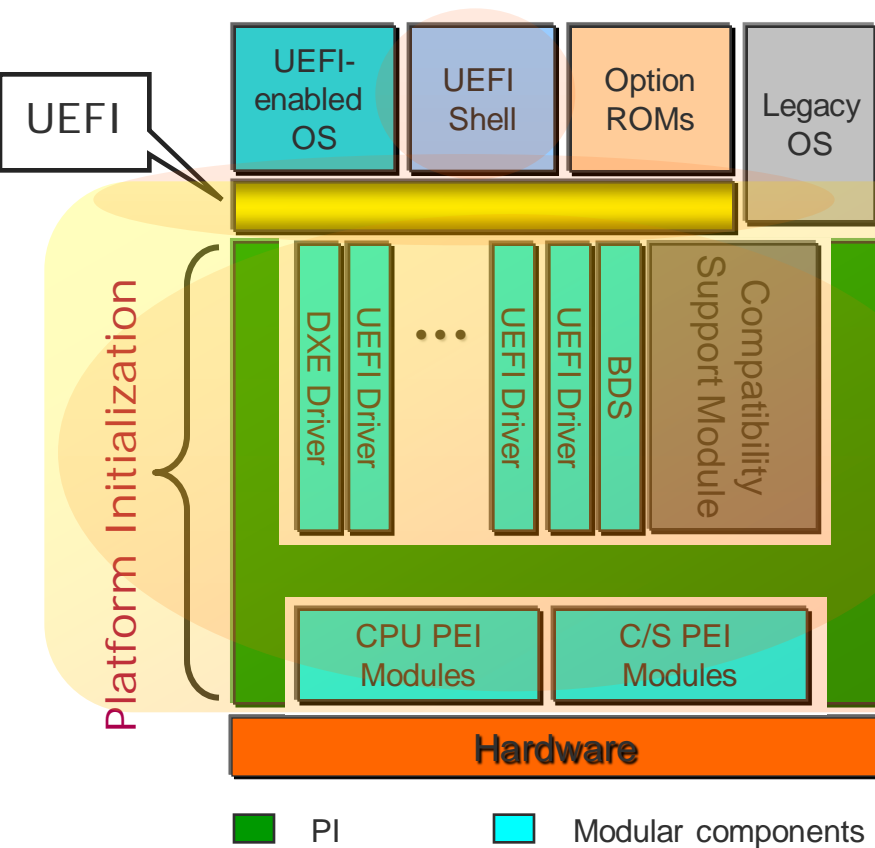
UEFI

- Industry implementation needs to catch with specifications
- Slowing down new spec releases
-



UEFI Plugfest 2010

Latest UEFI Specifications



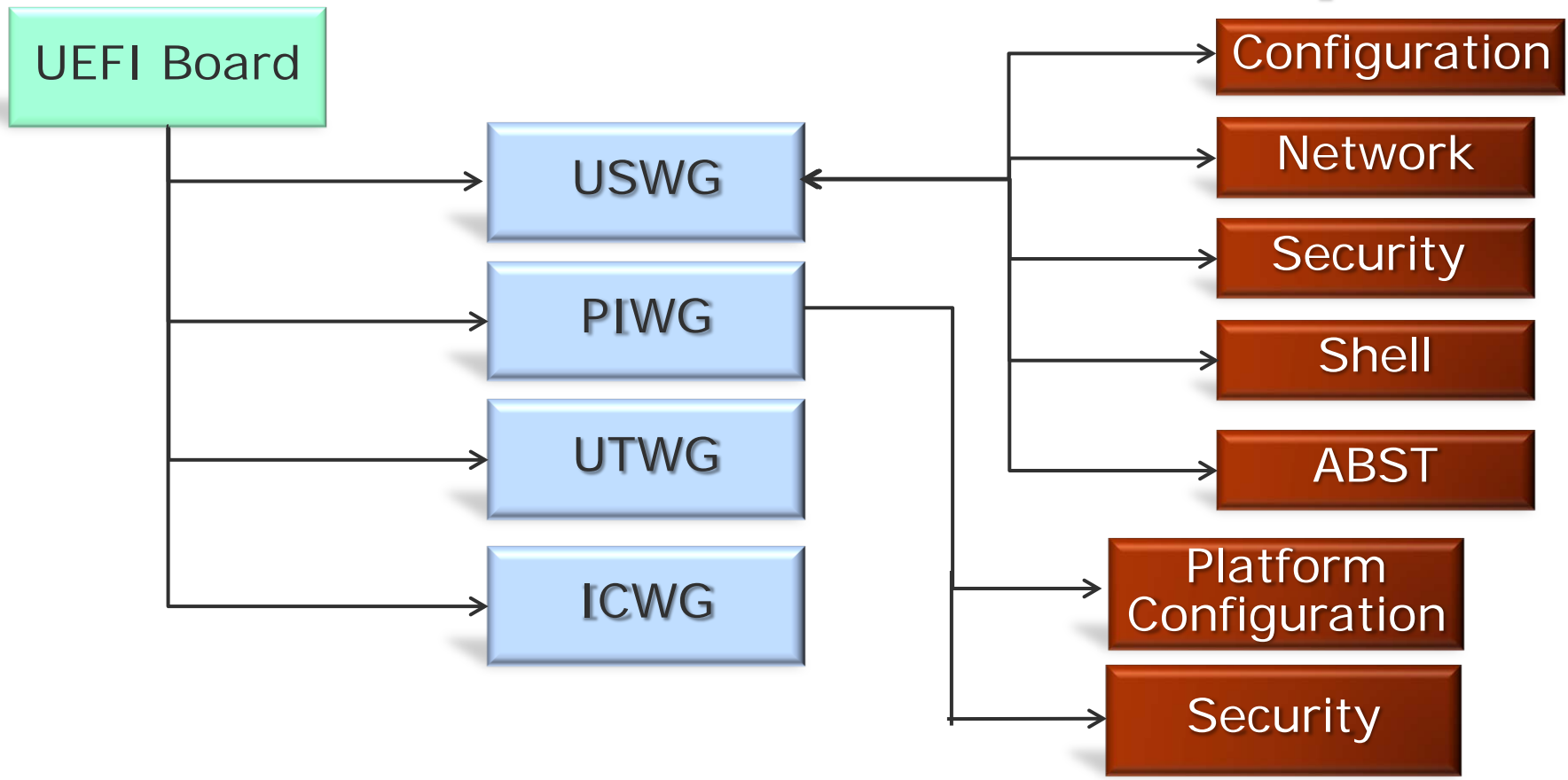
- *Platform Initialization (PI) 1.2 Spec*
- *Packaging 1.0 Spec*
- *UEFI 2.3 Spec*
- *Self Certification Tests (SCT) for UEFI 2.1 Spec*
- *Shell 2.0 Spec*

Advancements in firmware technologies continue to evolve. Join Working groups at the UEFI forum www.UEFI.org



UEFI Plugfest 2010

UEFI Work Groups



Publications/Decisions ratified by the board

Each work group approves/delivers different content to the public.

Each sub-team focuses on specific topics and contributes material to the work group.



ICWG Update (2007 - 2010)

- Past/Continuing Efforts:

- Press releases and Media Alerts
- Publications on UEFI.org
 - > News articles
 - > Updates to UEFI systems guide
- Support of Industry Conferences
 - > WinHec (2008)
 - > IDF
 - 2007 Tech showcase UEFI Community
 - 2008 UEFI treasure hunt contest
 - 2009 Strong UEFI technical sessions
 - > ARM conference 2008
 - > ARM Dev Conf 2009

- Goals for 2010:

- Plugfest June 2010
 - > Du Pont, Washington
- Plugfest October 2010
 - > Taipei, Taiwan
- Evaluate UEFI Adoption Rate
 - > Survey (June 2010)
- IDF 2010
- White Papers and Blogs
- Create a UEFI hardware guide for Add-in-cards

Getting the UEFI Message to the industry



UEFI Plugfest 2010

UTWG Update (2007 - 2010)

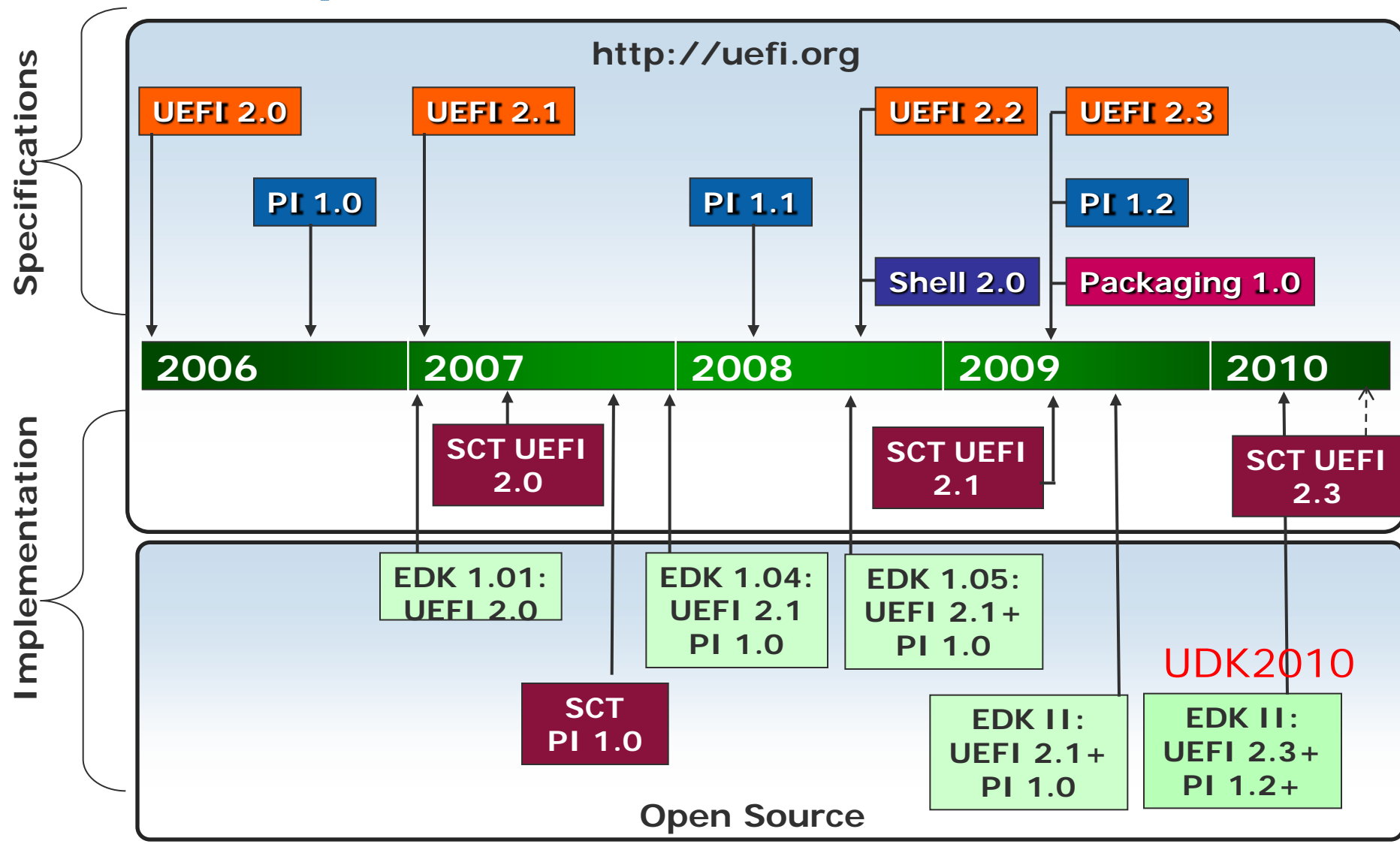
- UEFI SCT 2.1 Final
- UEFI SCT 2.3 Beta
 - Released here at the plugfest (CD)
Special expansion

Getting the UEFI Message to the industry



UEFI Plugfest 2010

UEFI Specification Timeline



All products, dates, and programs are based on current expectations and subject to change without notice.

UEFI Plugfest 2010



Utilize UEFI Full Potential

Good for Internal Development

Legacy BIOS
Class 0

UEFI CSM¹ only
Class 1

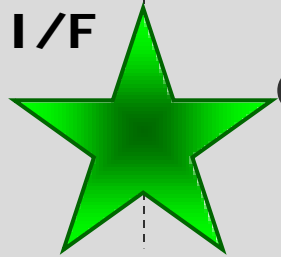


Limited Benefits:
*OEMs/ODMs internal
Development Optimization
& Code Modularity*

Needed for ISVs/End users

UEFI Switch -
CSM & UEFI I/F
Class 2

UEFI Pure I/F
Class 3



Full Benefits:
*UEFI Innovation
Performance
Extensibility
Advanced Usability*

Build UEFI Class 2/3 UEFI Systems!



UEFI Plugfest 2010

¹ Compatibility Support Module – Legacy BIOS interface on top of UEFI

Call to action

- Fill out survey at the end of the test event
 - Disclose UEFI testing results to UTWG
 - Submitting Issues
 - Success:
 - > 2.2 TB
 - > SCTs 2.1 or 2.3
 - > UEFI OS Install and Boot



FALL 2010 OCTOBER 13-15 TAIPEI, TAIWAN

UEFI PLUGFEST



Please save the date!



UEFI Plugfest 2010